

Park-o-bot

By
Syed Qaseem Ali
MSEE Student
IIT, Chicago, IL
USA

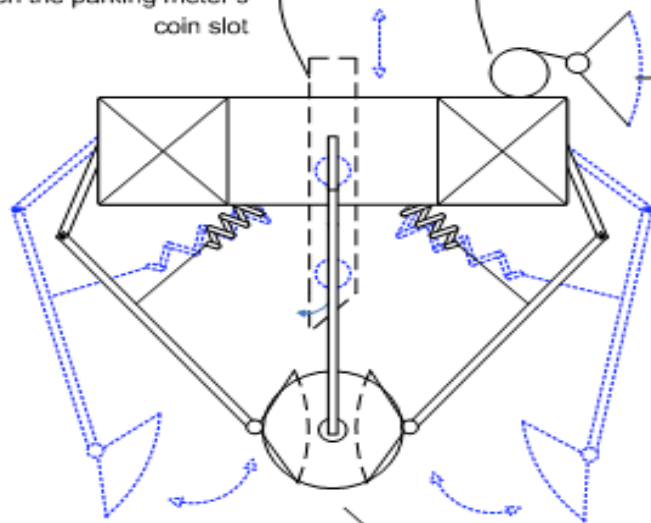
- A robot that feeds the parking meter when you are not there.
- To save the customer from paying for 30 mins if he does not need an extra 15 mins.
- The Park-o-Bot will only feed parking meter when needed by detecting when it has expired.
- Customer would also be relieved from the worry of being ticketed for over stay on the parking slot, as the Park-o-Bot will feed the meter, as long as the customer is not there.

Adjustable coin dispenser,
in Z and Y directions to
match the parking meter's
coin slot

Retractable wire
spindle for LED/
LDR

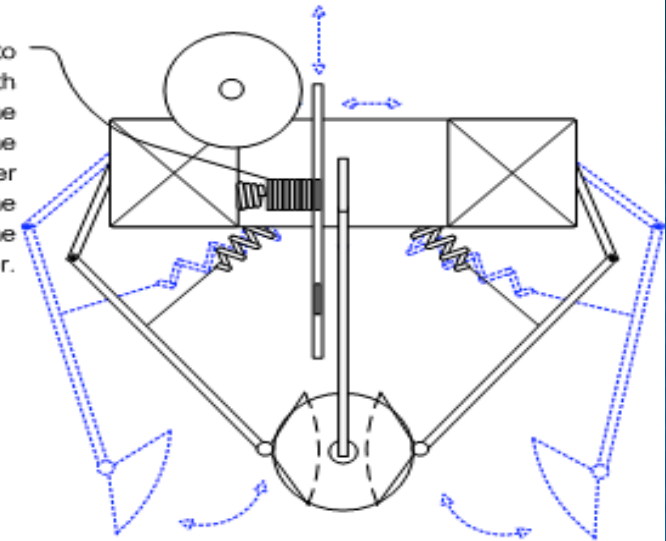
Suction pad, having
LED/LDR pair

Coin chamber to
store coins, with
spring to push the
coin in the
dispenser after
receiving the
signal from the
Expiry detector.

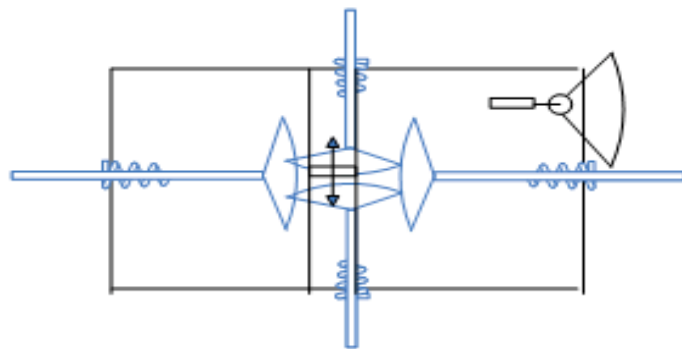


Front View

Four legs with
suction pumps to
clamp on the
Parking meter



Side View



Top View

Park-o-Bot has some small circuitry and a 2 battery slot in it, and also an electromechanical plunger, which are not shown in the figure for simplicity.

Working & Cost

- **The Park-o-Bot is a simple clamp on device to be clamped on the coin activated Parking Meter.**
- **The LED/LDR pair suction cup is placed on the place where the 'Expired' indication is shown, a simple comparator circuitry can differentiate between the red and white color.**
- **As soon as the sensor detects red color, the plunger that is keeping the coins to fall is activated, due to which the coin falls through the dispenser slot into the parking meter coin slot.**
- **The height and the lateral adjustment can be made to the dispenser to match the coin slot position on the meter.**
- **The 4 legged clamp construction of Park-o-Bot makes it easier to clamp on different sizes of parking meters.**
- **A simple circuitry can also synchronize Park-o-Bot with the keless entry system of the car, so that if the you press to unlock the car, the Park-o-Bot also deactivates, preventing it from inserting another coin if you are about to leave.**

Plunger	\$5.00-6.00
Mechanical body and Assembly (Plastic)	\$10.00
Springs	\$4.00
Electric Circuitry	<u>\$9.00</u>
- Comparator IC	\$1.00
- Battery(2 x AA)	\$1.5
- LED/LDR pair	\$1.0
- Resistors + Wires + etc	\$5.00
Manufacturing Cost	\$5.00
	=====
Total	\$34.00
	=====
In Euro	24 euros